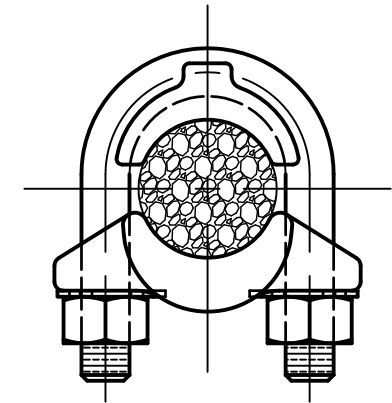
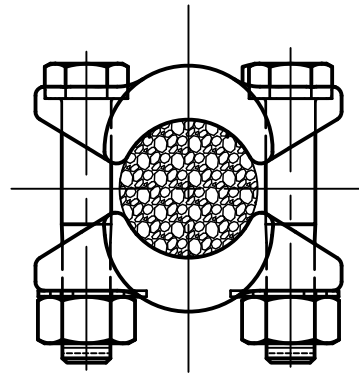


TYPE: ATCC

TYPE: ATCC - U



NOTES :

1. MATERIAL : CONNECTOR ALUMINUM ALLOY #356-T6
HARDWARE - ALUMINUM ALLOY #2024-T4 BOLTS, WASHERS
#7075T6, NUTS #6061T6 ALUMINUM, LUBRICATED.
2. INSTALLATION: ONE WRENCH REQUIRED.
3. * CABLE RANGE IN INCHES.
4. ** 6 BOLTS MAIN & TAP.
5. TO OBTAIN COPPER LINER IN MAIN ADD SUFFIX "CA" TO CATALOG NO.
EX: ATCC-66-CA
6. TO OBTAIN COPPER LINER IN TAP ADD SUFFIX "AC" TO CATALOG NO.
EX: ATCC-66-AC

| | | | | | | | | |
|---|------------|--------|----------|---|--|--------------------------|--------------------------------------|------------------------|
| 70168 | 06/19/2017 | RK | HG | HPS® | HUBBELL® POWER SYSTEMS POWER SYSTEMS, INC. | | | |
| EC # | DATE | CHG BY | RESP ENG | | | | | |
| DESC OF DWG: REDRAWN IN AUTOCAD | | | | CONFIDENTIAL: THIS DRAWING AND ITS CONTENTS ARE CONFIDENTIAL AND THE EXCLUSIVE PROPERTY OF HUBBELL POWER SYSTEMS. NO PUBLICATION, DISTRIBUTION OR COPIES MAY BE MADE WITHOUT THE WRITTEN CONSENT OF HUBBELL POWER SYSTEMS. HUBBELL POWER SYSTEMS UNPUBLISHED ALL RIGHTS RESERVED UNDER THE COPYRIGHT LAWS | TITLE ALUMINUM TEE CONNECTOR ALUMINUM OR A.C.S.R. CABLE WITH MACH BOLTS OR U-BOLTS | | | |
| REASON (S) FOR CHANGE: DISPOSITION OF MAT'L: | | | | | SIZE B | DWG NO. C-1279 | CAT / PART / ASSY NO. ATCC | REV 22 |
| | | | | | DO NOT SCALE THIS DRAWING | DRN BY NDS | DATE 10/10/56 | SHEET 1 OF 3 |

4

3

2


1

| CONDUCTOR SIZE | | | | CATALOG NUMBER | | DIMENSIONS IN INCHES | | | |
|-----------------------|-------------------|-----------------------|-------------------|---------------------|-----------------|----------------------|---------|--------|-----|
| CABLE MAIN | | CABLE TAP | | | | A | B | C | J |
| ALUMINUM MIN - MAX | ACSR MIN - MAX | ALUMINUM MIN - MAX | ACSR MIN - MAX | WITH MACH. BOLTS | WITH U-BOLTS | | | | |
| #4 - 250 | #4 - 4/0 | #4 - 250 | #4 - 4/0 | ATCC-66 | ATCC-66-U | 3 | 5 9/16 | 3 | 1/2 |
| #4 - 250 | #4 - 4/0 | 250 - 350 | #4/0 - 336 | ATCC-67 | ATCC-67-U | 3 | 5 9/16 | 3 5/16 | 1/2 |
| #4 - 250 | #4 - 4/0 | 350 - 600 | 336.4 - 477 | ATCC-69 | ATCC-69-U | 3 | 5 13/16 | 3 1/4 | 1/2 |
| #4 - 250 | #4 - 4/0 | 600 - 900 | 556.5 - 795 | ATCC-611 | ATCC-611-U | 3 | 6 1/16 | 3 1/2 | 1/2 |
| #4 - 250 | #4 - 4/0 | 600 - 900 | 556.5 - 795 | ATCC-611-VE | ATCC-611-VE-U | 4 | 8 1/4 | 5 | 5/8 |
| 250 - 400 | 4/0 - 336.4 | #4 - 250 | #4 - 4/0 | ATCC-76 | ATCC-76-U | 3 | 5 9/16 | 3 | 1/2 |
| 250 - 400 | 4/0 - 336.4 | 250 - 400 | 4/0 - 336.4 | ATCC-77 | ATCC-77-U | 3 | 5 9/16 | 3 | 1/2 |
| 250 - 350 | 4/0 - 336 | 350 - 600 | 336 - 477 | ATCC-79 | ATCC-79-U | 3 | 6 | 3 1/4 | 1/2 |
| 250 - 350 | 4/0 - 336 | 600 - 900 | 556.5 - 795 | ATCC-711 | ATCC-711-U | 3 | 6 1/16 | 3 1/2 | 1/2 |
| 250 - 400 | 4/0 - 336 | 1250 - 1600 | 1113 - 1272 | ATCC-715 | ATCC-715-U | 3 | 6 13/16 | 4 1/4 | 1/2 |
| 350 - 600 | 336.4 - 477 | #4 - 250 | #4 - 4/0 | ATCC-96 | ATCC-96-U | 3 1/4 | 5 13/16 | 3 | 1/2 |
| 350 - 600 | 336.4 - 477 | 250 - 400 | 4/0 - 336.4 | ATCC-97 | ATCC-97-U | 3 1/4 | 5 13/16 | 3 | 1/2 |
| 350 - 600 | 336.4 - 477 | 350 - 600 | 336.4 - 477 | ATCC-99 | ATCC-99-U | 3 1/4 | 6 1/16 | 3 1/4 | 1/2 |
| 350 - 600 | 336 - 477 | 600 - 900 | 556.5 - 795 | ATCC-911 | ATCC-911-U | 3 1/4 | 6 5/16 | 3 1/2 | 1/2 |
| 350 - 600 | 336 - 477 | 900 - 1250 | 715.5 - 1113 | ATCC-913 | ATCC-913-U | 3 1/4 | 6 9/16 | 3 3/4 | 1/2 |
| 600 - 900 | 556.5 - 795 | #4 - 250 | #4 - 4/0 | ATCC-116 | ATCC-116-U | 3 1/2 | 6 1/16 | 3 | 1/2 |
| 600 - 900 | 556.5 - 795 | 250 - 400 | 4/0 - 336.4 | ATCC-117 | ATCC-117-U | 3 1/2 | 6 1/16 | 3 | 1/2 |
| 600 - 900 | 556.5 - 795 | 350 - 600 | 336.4 - 477 | ATCC-119 | ATCC-119-U | 3 1/2 | 6 5/16 | 3 1/4 | 1/2 |
| 600 - 900 | 556.5 - 795 | 350 - 600 | 336.4 - 477 | ATCC-119-VE | ATCC-119-VE-U | 5 | 8 1/8 | 4 1/2 | 5/8 |
| 600 - 900 | 556.5 - 795 | 600 - 900 | 556.5 - 795 | ATCC-1111 | ATCC-1111-U | 3 1/2 | 6 9/16 | 3 1/2 | 1/2 |
| 600 - 900 | 556.5 - 795 | 600 - 900 | 556.5 - 795 | ATCC-1111-VE | ATCC-1111-VE-U | 5 | 8 5/8 | 5 | 5/8 |
| 600 - 900 | 556.5 - 795 | 900 - 1250 | 715.5 - 1113 | ATCC-1113 | ATCC-1113-U | 3 1/2 | 6 13/16 | 3 1/4 | 1/2 |
| 600 - 900 | 556.5 - 795 | 1250 - 1600 | 1113 - 1272 | ATCC-1115 | ATCC-1115-U | 3 1/2 | 7 5/16 | 4 1/4 | 1/2 |
| 900 - 1250 | 715.5 - 1113 | #4 - 250 | #4 - 4/0 | ATCC-136 | ATCC-136-U | 3 3/4 | 6 5/16 | 3 | 1/2 |
| 900 - 1250 | 715.5 - 1113 | 250 - 400 | 4/0 - 336.4 | ATCC-137 | ATCC-137-U | 3 3/4 | 6 5/16 | 3 | 1/2 |
| 900 - 1250 | 715.5 - 1113 | 350 - 600 | 336.4 - 477 | ATCC-139 | ATCC-139-U | 3 3/4 | 6 9/16 | 3 1/4 | 1/2 |
| 900 - 1250 | 715.5 - 1113 | 600 - 900 | 556.5 - 795 | ATCC-1311 | ATCC-1311-U | 3 3/4 | 6 13/16 | 3 1/2 | 1/2 |
| 900 - 1250 | 715.5 - 1113 | 900 - 1250 | 715.5 - 1113 | ATCC-1313 | ATCC-1313-U | 3 3/4 | 7 1/16 | 3 3/4 | 1/2 |
| 900 - 1250 | 715.5 - 1113 | 2000 - 2500 | 1.632 - 1.824* | ATCC-1318 | | 3 3/4 | 8 1/16 | 4 3/4 | 1/2 |

| | | | |
|---|------------|--------|----------|
| 70168 | 06/19/2017 | RK | HG |
| EC # | DATE | CHG BY | RESP ENG |
| DESC OF DWG: REDRAW IN AUTOCAD | | | |
| REASON (S) FOR CHANGE: DISPOSITION OF MAT'L: | | | |

HPS[®]

CONFIDENTIAL: THIS DRAWING AND ITS CONTENTS ARE CONFIDENTIAL AND THE EXCLUSIVE PROPERTY OF HUBBELL POWER SYSTEMS. NO PUBLICATION, DISTRIBUTION OR COPIES MAY BE MADE WITHOUT THE WRITTEN CONSENT OF HUBBELL POWER SYSTEMS. HUBBELL POWER SYSTEMS UNPUBLISHED ALL RIGHTS RESERVED UNDER THE COPYRIGHT LAWS

 **HUBBELL**[®] POWER SYSTEMS

TITLE: **ALUMINUM TEE CONNECTOR**
ALUMINUM OR A.C.S.R. CABLE WITH MACH BOLTS OR U-BOLTS

| | | | |
|---------------------------|-------------------|-------------------------------|----------------------------|
| SIZE B | DWG NO. C-1279 | CAT / PART / ASSY NO. ATCC | REV 22 |
| DO NOT SCALE THIS DRAWING | | DRN BY NDS | DATE 10/10/56 SHEET 2 OF 3 |

4

3

2

1